

AC 4-WIRE TRANSMITTER

ACT-4I / ACT-4V

- ACCURACY OF 0.1%
- AC CURRENT INPUT
- AC VOLTAGE INPUT
- COMPLETE ISOLATION
- LOW COST
- 3-YEAR WARRANTY



The ACT-4I and ACT-4V isolated four-wire transmitters accept ac current voltage input signals and generate a proportional 4-20mA process output current.

Accurate full-wave squaring circuitry is applied for true conversion of the ac input signal into an accurate isolated output.

For complete safety, internal transformers isolate the input and enable the ACT-4I and the ACT-4V to withstand large momentary input signals.

Complete input to output isolation, high surge current capacity and high output signal to noise ratio, make the Series 4 highly immune to ground loop signals and RFI.

Wide input current ranges are obtained by means of changing one resistor for coarse range setting. This resistor is located behind the unit cover.

Fine tuning is achieved via the "Zero" and "Span" front panel accessible multi-turn potentiometers.

The ACT-4 units can be ordered to be powered either by 220/110 Vac or by 22 - 66 Vdc.

The ACT-4 transmitters are housed in a polycarbonate plastic enclosure mounted on a standard DIN rail side by side, with no wasted space in high density installations.

SPECIFICATIONS

ACT-4I / ACT-4V

ACT-4I

INPUT: AC current

INPUT SPAN: 1 to 10 Aac (RMS)

INPUT BURDEN: 0.26 VA at 5 Aac input

INRUSH CURRENT:

40 Aac (RMS) maximum for 8 seconds

75 Aac (RMS) maximum for 1 second every 10 minutes.

ISOLATION:

Current input: 2.5KV RMS/1 minute

Power input: 4KV RMS/1 minute

WEIGHT: 0.35 Kg

OUTPUT: DC current

CURRENT RANGE:

4-20 mA (partial ranges available)

28 mA (limited)

SUPPLY VOLTAGE: DC or AC versions

DC SUPPLY: 22-66 Vdc

DC CURRENT DRAW: 26 mA at 20 mA output

AC SUPPLY (factory set): 115/230 \pm 15% Vac

POWER CONSUMPTION: 1.9 VA

SUPPLY AND LOAD VARIATION EFFECT:

< \pm 0.03% of span for full range

LOAD RESISTANCE:

750 Ω for nominal AC supply

600 Ω for minimum AC supply

$R=(V_{sup}-14)/0.02$ limited to 700 Ω

RESPONSE TIME: 220 msec (0-98%)

OUTPUT RIPPLE: Better than \pm 0.1% of span (RMS)

ACT-4V

INPUT: AC Voltage

INPUT SPAN (factory set):

80 to 420 Vac RMS)

INPUT BURDEN: 1.4 VA at 230 Vac input

0.3 VA at 120 Vac

ISOLATION:

Signal and power inputs: 4KV RMS/1 minute

WEIGHT: 0.4 Kg

ACCURACY (2-100% of input span):

\pm 0.1% of span for pure sinusoidal input

FREQUENCY: 40 - 500 Hz

ADJUSTABILITY:

Zero: \pm 35% of span (minimum)

Span: \pm 25% of span (minimum)

CMR: 122 dB typical 117 dB minimum

TEMPERATURE STABILITY: \pm 0.015% of span /1 $^{\circ}$ K

OPERATION TEMPERATURE:

-20 to 70 $^{\circ}$ C standard.

Option: -30 to +85 $^{\circ}$ C

Storage: -40 to +90 $^{\circ}$ C

HUMIDITY: 5-95% relative, non condensed

HOUSING:

Plastic polycarbonate

Box: According to IP-40

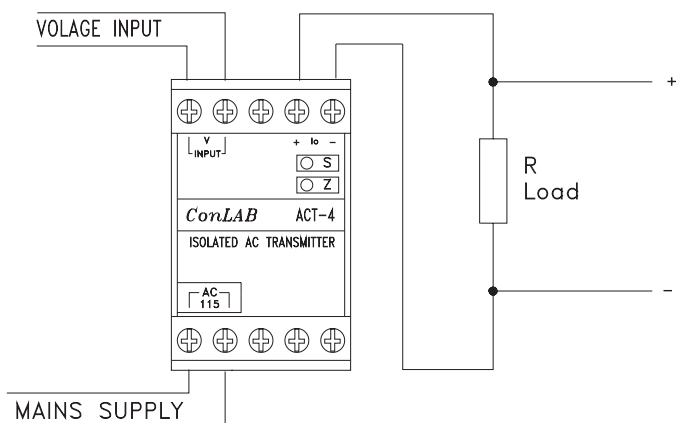
Terminals: According to IP-20

MOUNTING: Standard 35 mm DIN rail

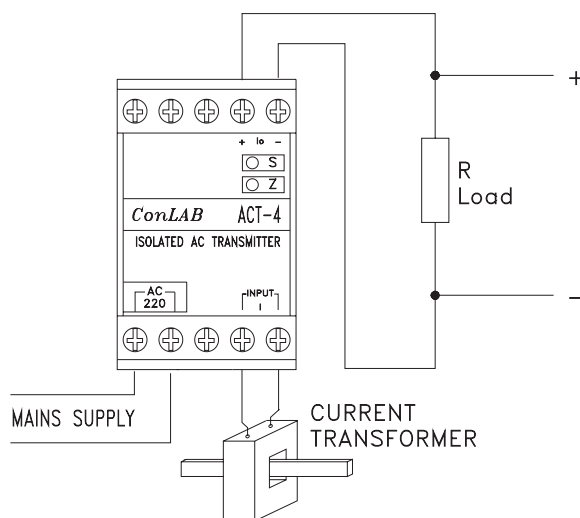
SPECIFICATIONS

ACT-4I / ACT-4V

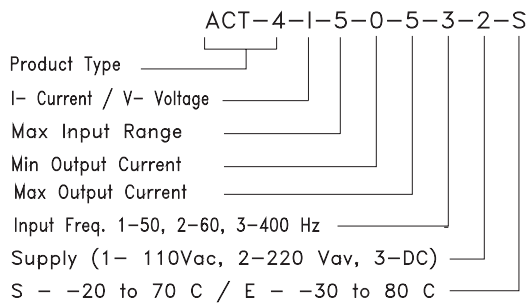
CONNECTION DIAGRAM



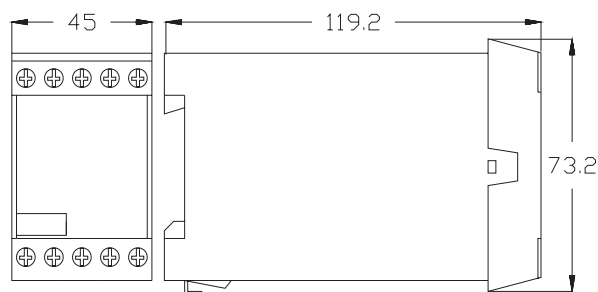
CONNECTION DIAGRAM



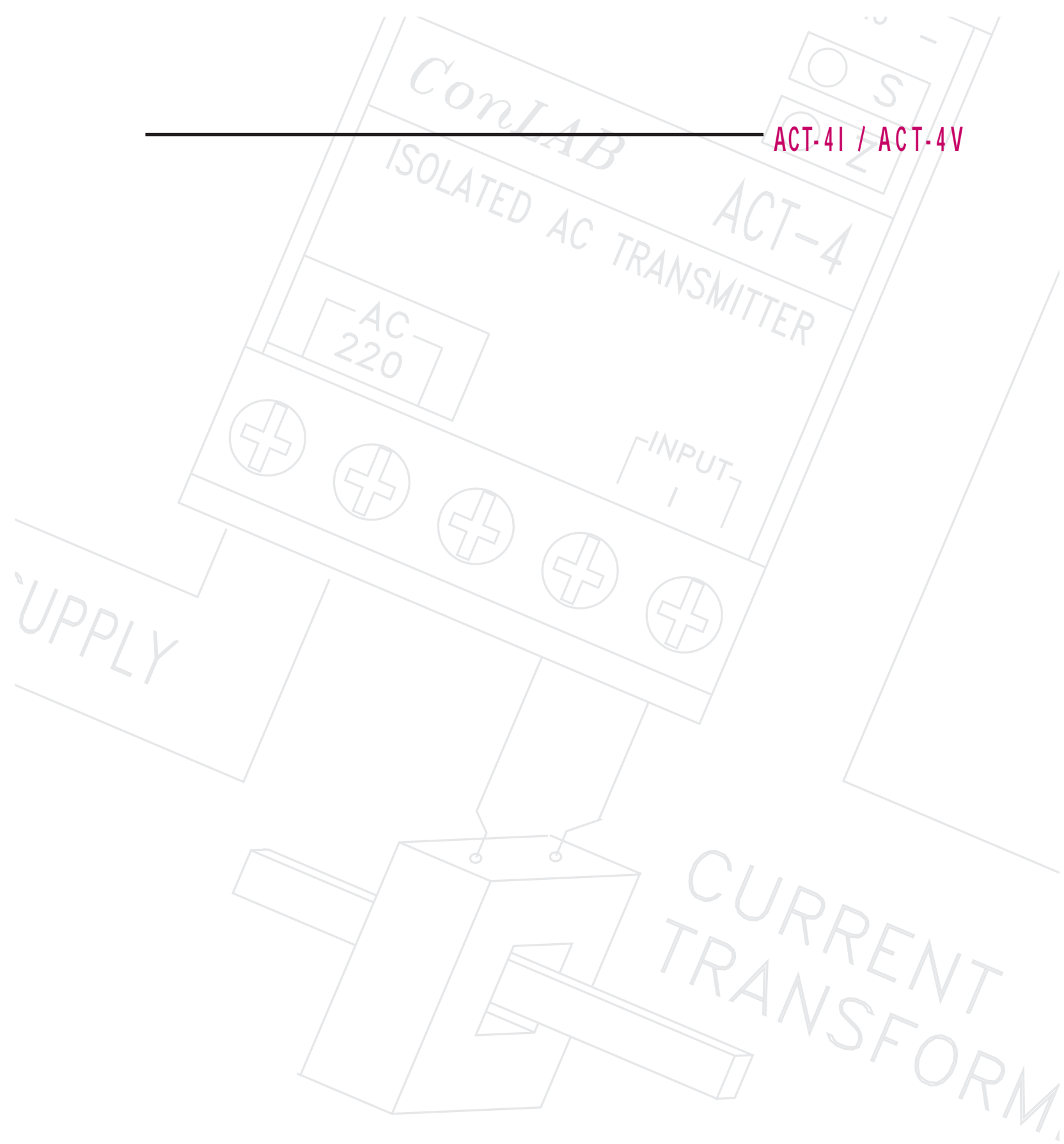
ORDERING INFORMATION



DIMENSIONS(mm)



ACT-4I / ACT-4V



data subject to change without notice

ConLAB
Control Laboratories Ltd.

20, Hamezuda st. P.O.Box 100. Azor 58190, Israel. Tel +972-3-556-7688 Fax +972-3-556-9540

Rev 8/95