

ACT-SI & ACT-SV

AC input Self-Powered Transmitter

Operator's Manual

Contents:

1. CALIBRATION INSTRUCTIONS
2. CONNECTION DIAGRAMS
 - 2.1 ACT-SI
 - 2.2 ACT-SV
3. MECHANICAL DIMENSIONS
4. SPECIFICATIONS

1. CALIBRATION INSTRUCTIONS

1.1 The ACT-SI/SV coarse ranging is factory set. The potentiometer located on the unit's front panel is used for fine tuning.

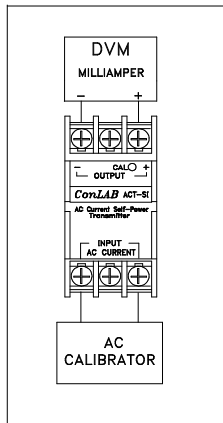


fig 1

Instrumentation needed:

1. AC voltage/current calibrator
 2. High accuracy DVM
 3. Small screwdriver
- a. a. Connect the transmitter to be calibrated according to Fig 1 (shown for ACT-SI).
 - b. Set calibrator to I/V max.
 - c. Adjust with the Span potentiometer to obtain an output current of 20.000mA.

2. CONNECTION DIAGRAMS

2.1 ACT-SI

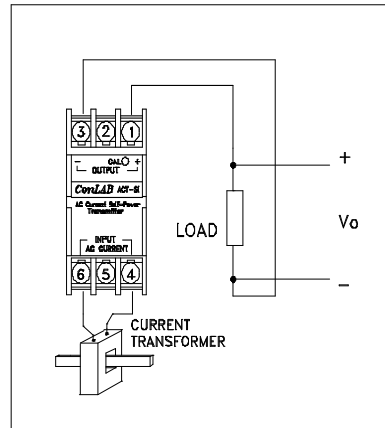


fig 2

Note: for voltage output configuration- no load is needed

2.2 ACT-SV

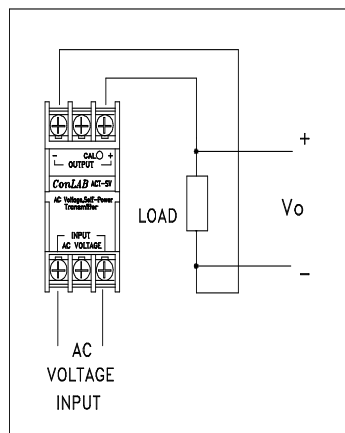


fig 3

Note: for voltage output configuration-
no load is needed

3. MECHANICAL DIMENSIONS mm (In)

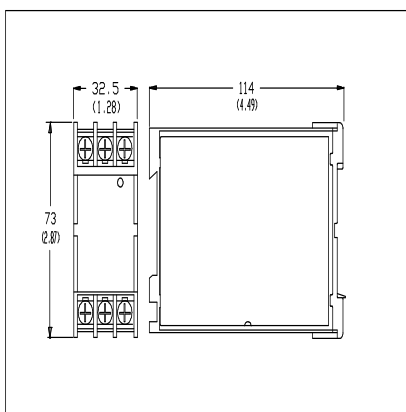


fig 4

4. ACT-SI & ACT-SV SPECIFICATIONS

ACT-SI

INPUT SPAN (factory set): 0 - 1, 0 - 5Aac (RMS)
OVER RANGE: 6 Aac (for almost full accuracy)
OVER LOAD: 10 Aac (Continues)
PEAK OVERLOAD: 40 Aac for 5 sec./10 min.
INPUT POWER CONSUMPTION: 0.6 VA @ 5A
ISOLATION: 4 KV RMS/1 minute

ACT-SV

INPUT SPAN (factory set): 0-150, 0-300Vac RMS
OVER RANGE: +20% of span
OVER LOAD: +40% of span (continues)
INPUT POWER CONSUMPTION: 0.9 VA @ 300 Vac
ISOLATION: 4 KV RMS/1 minute
FREQUENCY VARIATION EFFECT: < 0.02%/Hz

GENERAL SPECIFICATIONS

OUTPUT:

Current: 0 - 1, 0-20 mA;
Voltage: up to 0-10Vdc

OUTPUT IMPEDANCE: 800 max. @ 20mA
(according to $R_{max} = 16/I_o(max)$)

OUTPUT RIPPLE: < $\pm 0.1\%$ of span

RESPONSE TIME: < 240 msec (10 - 90%)

FREQUENCY: 40 - 440 Hz

FREQUENCY VARIATION EFFECT: < $\pm 0.02\%/Hz$

SUPPLY: Self powered

ACCURACY (for 25-100% of range):

< $\pm 0.1\%$ of span typical

TEMPERATURE STABILITY: < $\pm 0.01\%/C$

OPERATING AMBIENT: -20 to 70 °C (-4 to 158°F)

STORAGE TEMPERATURE: -40 to 90°C (-40 to 194°F)

HUMIDITY: 5 - 95% relative, non condensed

HOUSING: Plastic Polycarbonate

PROTECTION LEVEL:

Box: According to IP-50 DIN 40050

Terminals: According to IP-10 DIN 40050

MOUNTING: Standard 35mm DIN rail

WEIGHT: 0.7 lb. (0.3 Kg)