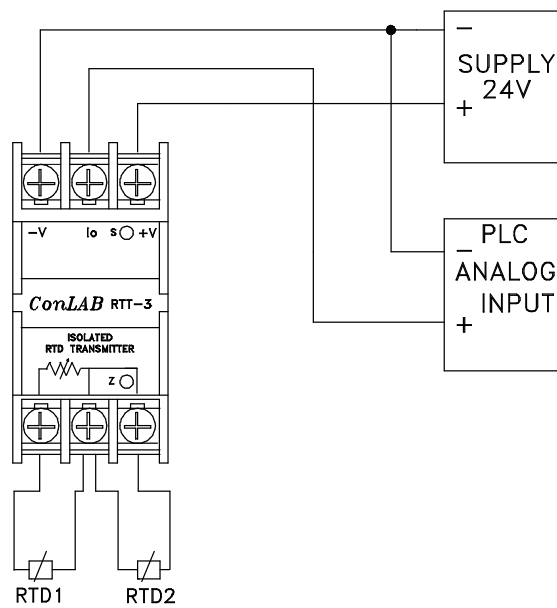


RTT-3 DIFFERENTIAL MODE



Notes:

1. Output current increases when RTD1 is hotter
2. The leads connecting the sensors should be identical

ConLAB Control Laboratories Ltd.			
Model: RTT-3 DIFFERENTIAL MODE			
Rev:	01	Document No.:	RTT-3
Author:		Checked:	
Approved:		Approved:	
Date:	01/10/2011	Page:	1