

AC INPUT SELF-POWERED TRANSMITTER

ACT-SI / ACT-SV

- NO EXTERNAL SUPPLY REQUIRED
- AC CURRENT INPUT
- AC VOLTAGE INPUT
- ACCURACY OF 0.1%
- DIN RAIL MOUNTING
- 3-YEAR WARRANTY



The ACT-SV and ACT-SI convert the applied AC voltage/current inputs into a proportional, linear and highly accurate current or voltage output signals.

The ACT-SV and the ACT-SI are self-powered instruments which use the measured input to produce the output current.

For complete safety, an internal transformer isolates the input from the output, thus enabling the ACT-SV and the ACT-SI to withstand large momentary inputs.

The input to output isolation provides a high output signal-to-noise ratio which makes the transmitters highly immune to ground loop signals and RFI.

Wide input ranges are obtained by changing one resistor for coarse range setting. This resistor is located behind the unit cover. Fine tuning is performed via the front panel accessible multi-turn potentiometer.

The ACT-SV and ACT-SI have exceptional high accuracy and linearity performance, together with excellent thermal stability, making them unrivaled in performance.

The units are housed in a low-profile, polycarbonate plastic enclosure mounted on a standard DIN rail.

SPECIFICATIONS

ACT-SI / ACT-SV

ACT-SV

INPUT SPAN (factory set):

90-150, 180-300 Vac RMS

Option: 300-440 Vac

OVER RANGE: +20% of span (for full accuracy)

OVER LOAD: +40% of span (continues)

INPUT POWER CONSUMPTION: 0.9 VA @ 300 Vac input

ISOLATION: 4 KV RMS/1 minute

FREQUENCY VARIATION EFFECT: $< \pm 0.02\%/Hz$

WEIGHT: 0.3 Kg

ACT-SI

INPUT SPAN (factory set): 0 - 5 Aac RMS

OVER RANGE: 6 Aac (for full accuracy)

OVER LOAD: 10 Aac Continues)

PEAK OVERLOAD: 40 Aac for 5 seconds
every 10 minutes

INPUT POWER CONSUMPTION: 0.6 VA @ 5A input

ISOLATION: 4 KV RMS/1 minute

WEIGHT: 0.25 Kg

OUTPUT:

Current: 0-20 mA (all the partial ranges available)

Voltage: 0-10 V (all the partial ranges available)

OUTPUT IMPEDANCE:

800Ω maximum @ 20mA

(according to $R_{max} = 16/I_o(max)$)

OUTPUT RIPPLE: $< \pm 0.1\%$ of span

RESPONSE TIME: < 240 msec (10 - 90%)

FREQUENCY: 40 - 440 Hz

FREQUENCY VARIATION EFFECT: $< \pm 0.02\%/Hz$

SUPPLY: Self powered

ACCURACY (for 5-120% of range):

$< \pm 0.1\%$ of span typical

LINEARITY (for 5-120% of span):

$< \pm 0.1\%$ typical

TEMPERATURE STABILITY:

better than $\pm 0.01\%/^{\circ}C$

OPERATION TEMPERATURE:

standard: -20 to 70°C

option: -30 to 80°C

Storage: -40 to +90°C

HUMIDITY: 5 - 95% relative, non condensed

HOUSING: Plastic Polycarbonate

PROTECTION LEVEL:

Box: According to IP-50 DIN 40050

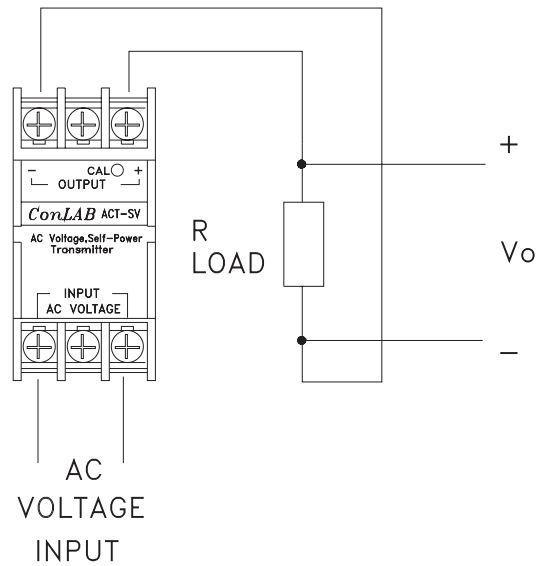
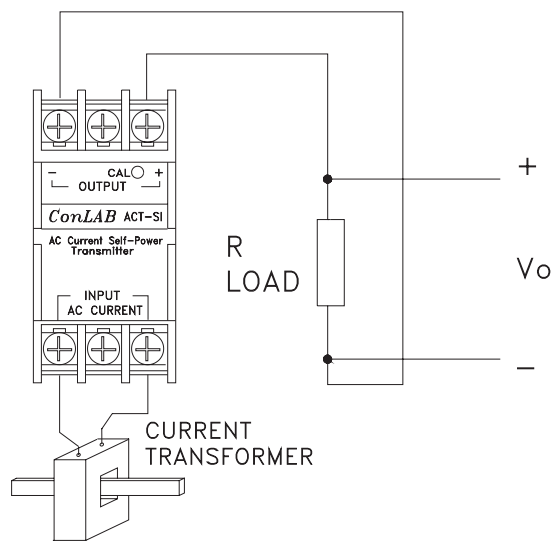
Terminals: According to IP-10 DIN 40050

MOUNTING: Standard 35mm DIN rail

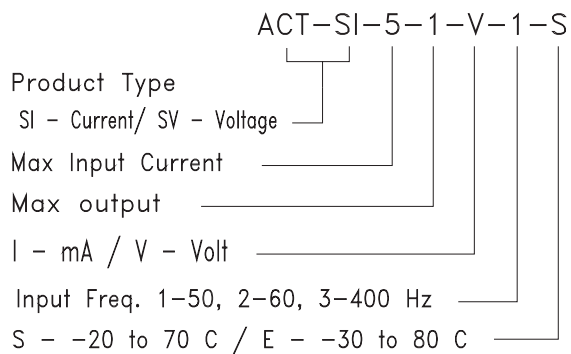
SPECIFICATIONS

ACT-SI / ACT-SV

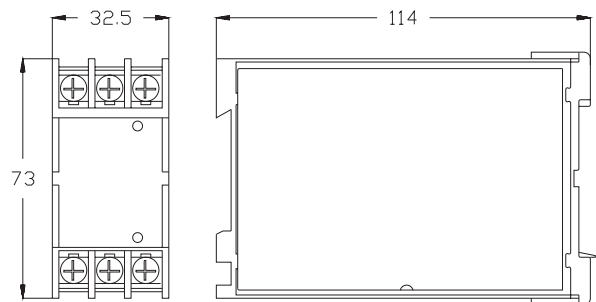
CONNECTION DIAGRAMS



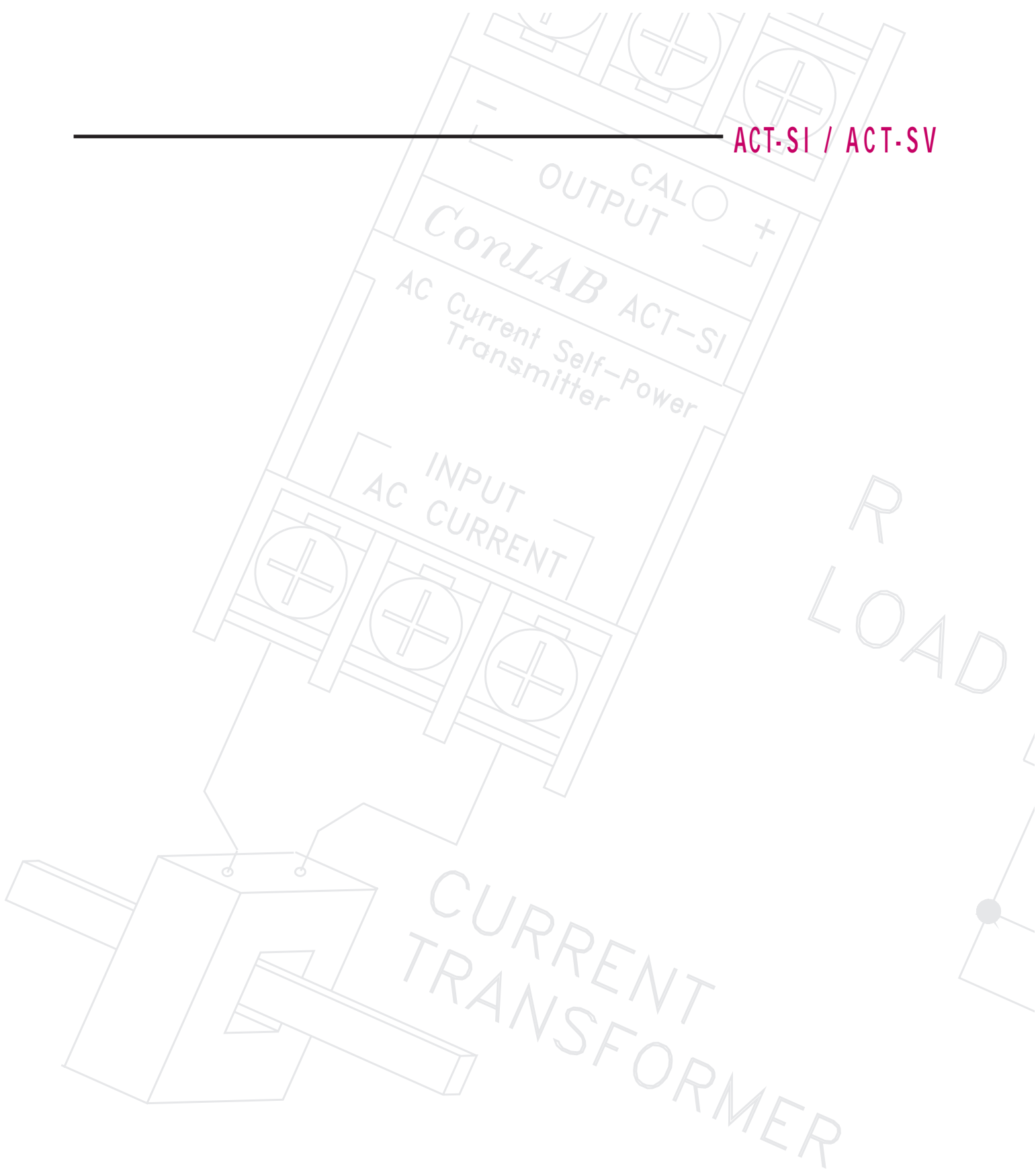
DIMENSIONS(mm)



ORDERING INFORMATION



ACT-SI / ACT-SV



data subject to change without notice

20, Hamezuda st. P.O.Box 100. Azor 58190, Israel. Tel +972-3-556-7688 Fax +972-3-556-9540

ConLAB
Control Laboratories Ltd.

Rev 8/95