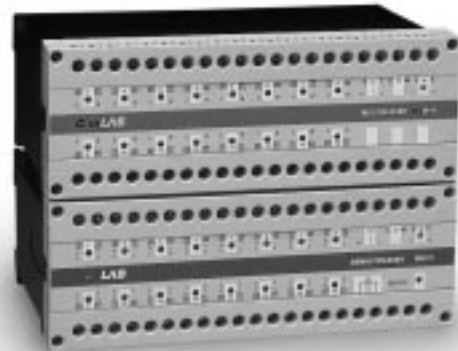


ANALOG MULTIPLEXER/ DeMULTIPLEXER SYSTEM

MDM-11

- SAVINGS IN CABLES
AND INSTALLATION COSTS
- CURRENT LOOP COMMUNICATION TYPE
- ACCURACY OF 0.1% (TYP.)
- FAILURE ALARM
- 3-YEAR WARRANTY



The MDM-11 is a mux/ de-mux system, which accurately transfers analog information via a pair of wires.

The multiplexer unit (M-11) accepts up to 16, 4-20mA process current inputs. The multiplexed inputs are transferred to the demultiplexer unit (DM-11) at a scan rate of up to 1000 channels/sec. to a distance of up to 2Km.

At the de-multiplexer, the current outputs are reproduced in the same order and magnitude as the inputs.

The de-multiplexer unit is provided with an alarm (flashing LED and dry contact output), which is operated

whenever there is any interruption in communication due to multiplexer failure, cable discontinuity or short-circuit.

The system allows a considerable reduction in cabling for a new installation or expansion of analog data transfer capability in an existing installation.

Both M-11 and DM-11 are housed in a polycarbonate plastic enclosure which can be mounted either on a standard DIN rail or on a wall using screws.

M-11 SPECIFICATIONS

INPUTS: 16, 4-20 mA process current

ADDITION TO LOOP RESISTANCE: 470Ω

V - TRANSMITTERS SUPPLY: Vsupply - 3 Vdc

"V" TERMINAL CURRENT LIMIT: 40 mA

OUTPUT: Multiplexed current loop

SCAN RATE:

250, 500, 1000 ch./ sec.(selectable)
for distance of 2000, 1000 and 500m respectively

SUPPLY: 15-40 Vdc

INDICATORS:

Yellow operation LED
16 red LEDs for input current indication

CURRENT CONSUMPTION: 20 mA maximum

FUSES:

Main fuse: 630 mA 5/20mm fast blow
Channel fuses: 63 mA 5/20mm fast blow

DM-11 SPECIFICATIONS

INPUT: Multiplexed current loop

OUTPUTS:

Analog: 16, 4-20 mA, continuous current loops
Alarm: 1 relay dry contact (closed when alarm)
Contact Rating: 1 A at 230 Vac maximum

SUPPLY: 24 ±10% Vdc

INDICATORS:

1 yellow operation LED
16 red LEDs for output current indication
1 red alarm LED

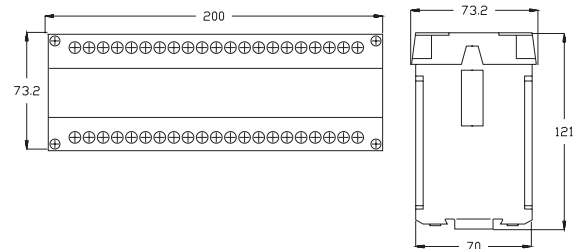
CURRENT CONSUMPTION:

500 mA maximum (including the outputs)

FUSES:

Main fuse: 630 mA 5/20 mm fast blow
Analog input fuse: 63 mA 5/20 mm fast blow

Dimensions (mm)



MDM-11 SPECIFICATIONS

ACCURACY:

±0.1% of span typical, ±0.25% maximum

COMMUNICATION CABLE: 2 leads (see note)

MOUNTING:

Standard 35mm DIN rail or screw mounting

TEMPERATURE:

Operation: 0-70°C
Storage: -25 to +85°C

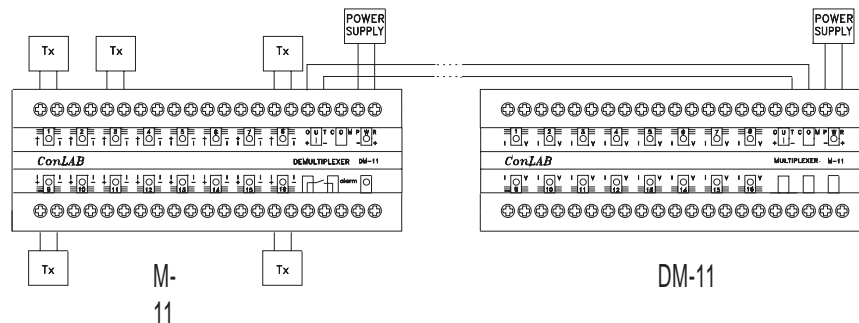
HUMIDITY:

5-95% relative, non condensed

HOUSING:

Plastic polycarbonate
Box: According to IP 50 DIN 40050
Terminals: According to IP 20 DIN 40050

Connection Diagram



Note: The transmitter connected to the MDM-11 system has to comply with the total loop resistance combined of the MDM-11 (470Ω) plus the two ways leads resistance.